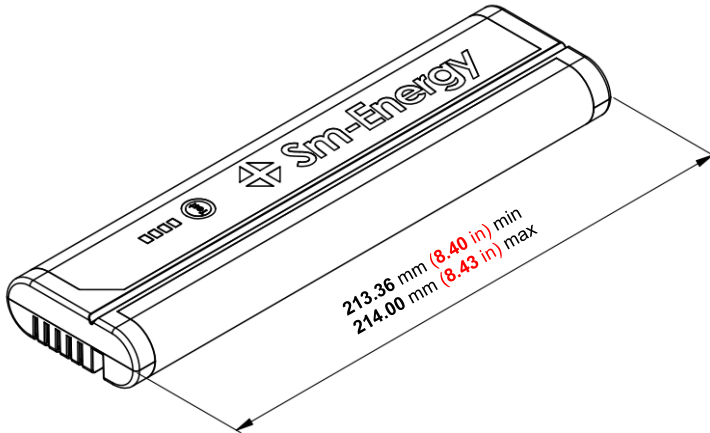
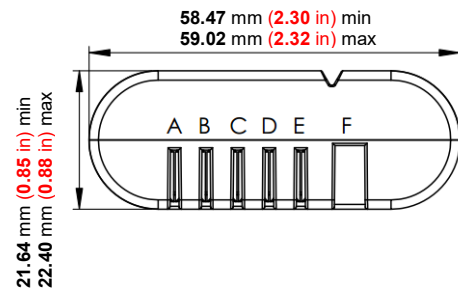


# SM204 2 KEY-8.4-19 11.1V, 8400mAh, 94Wh Data Sheet



Terminal	Legend	Description
A	(-)	Negative
B	(T)	Safety Signal
C	(D)	Data
D	(C)	Clock
E	(+)	Positive
F		KEY



## Product Characteristics

<b>Rechargeable Chemistry</b>	Lithium-Ion	
<b>Approximate Weight</b>	472 g (1.04 lbs)	
<b>Communication</b>	SMBus	
<b>General</b>	Nominal Voltage	11.1V
	Nominal Capacity	8400mAh
	Nominal Energy	94Wh
<b>Charging</b>	Charge Voltage	12.6V
	Charging Current	4.2A
	Termination Current	350mA
	Charge Temperature	0°C to +45°C
<b>Discharging</b>	Maximum Continuous Current	8.0A @ 25°C
	Discharge Termination	9.0V
	Discharge Temperature	-30°C to +60°C
<b>Storage</b>	Temperature (1 month)	-20°C to +60°C
	Temperature (6 month)	-20°C to +35°C
	Temperature (12 month)	-20°C to +23°C
<b>Certifications</b>	UN 38.3 IEC62133-2:2017 RoHS	