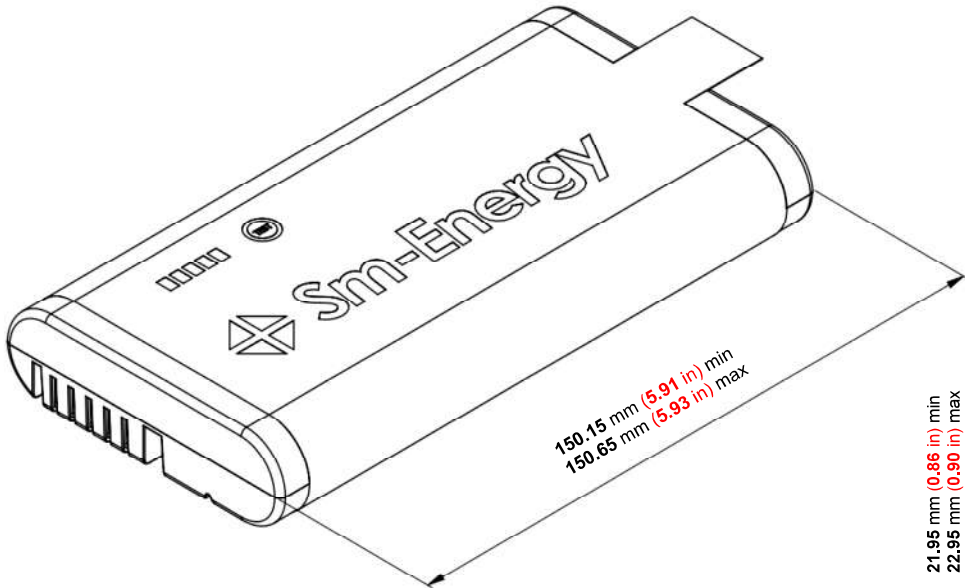


SM218-6.8-23 14.54V, 6800mAh, 99Wh Data Sheet



Terminal	Legend	Description
A		KEY
B	(-)	Negative
C	(T)	Safety Signal
D	(D)	Data
E	(C)	Clock
F	(+)	Positive
G		KEY



Product Characteristics

Rechargeable Chemistry	Lithium-Ion	
Approximate Weight	0.454 kg (1 lbs)	
Communication	SMBus	SM1.1
General	Nominal Voltage	14.54V
	Nominal Capacity	6800mAh
	Nominal Energy	99Wh
Charging	Charge Voltage	16.8V
	Charging Current	3.0A
	Termination Current	120mA
	Charge Temperature	0°C to +45°C
Discharging	Maximum Continuous Current	10A @ 25°C
	Discharge Termination	12V
	Discharge Temperature	-20°C to +60°C
Storage	Temperature (1 month)	-20°C to +45°C
	Temperature (3 month)	-20°C to +40°C
	Temperature (12 month)	-20°C to +20°C
Certifications	UN38.3	