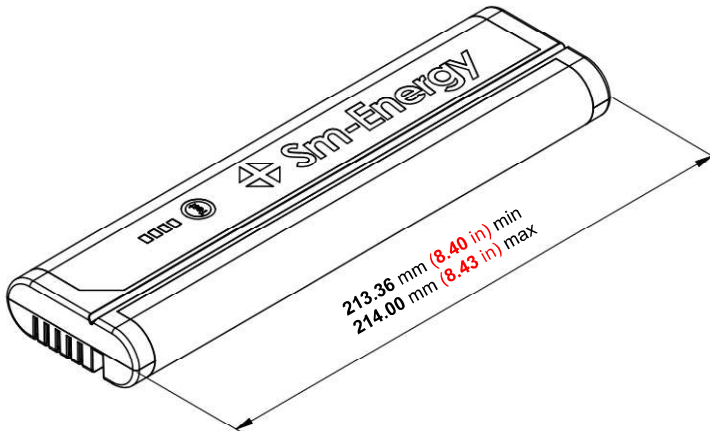
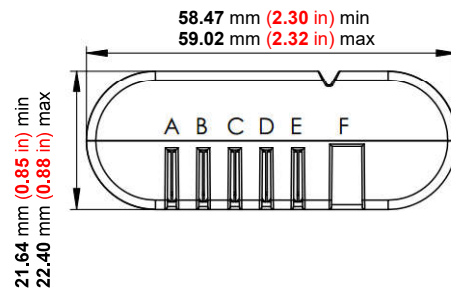


SM204 2 KEY-8.4-19 11.1V, 8400mAh, 94Wh Data Sheet



Terminal	Legend	Description
A	(-)	Negative
B	(T)	Safety Signal
C	(D)	Data
D	(C)	Clock
E	(+)	Positive
F		KEY



Product Characteristics

Rechargeable Chemistry	Lithium-Ion	
Approximate Weight	472 g (1.04 lbs)	
Communication	SMBus	
General	Nominal Voltage	11.1V
	Nominal Capacity	8400mAh
	Nominal Energy	94Wh
Charging	Charge Voltage	12.6V
	Charging Current	4.2A
	Termination Current	350mA
	Charge Temperature	0°C to +45°C
Discharging	Maximum Continuous Current	8.0A @ 25°C
	Discharge Termination	9.0V
	Discharge Temperature	-30°C to +60°C
Storage	Temperature (1 month)	-20°C to +60°C
	Temperature (6 month)	-20°C to +35°C
	Temperature (12 month)	-20°C to +23°C
Certifications	UN 38.8	
	IEC62133-2:2017	
	RoHS	