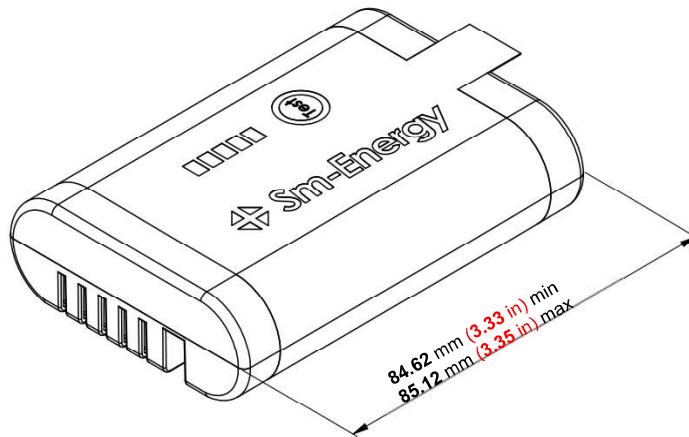
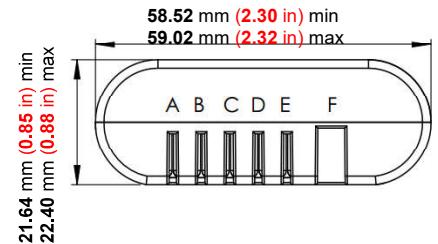


# SM203-3.2-04 10.8V, 3200mAh, 35Wh Data Sheet



Terminal	Legend	Description
A	(-)	Negative
B	(T)	Safety Signal
C	(D)	Data
D	(C)	Clock
E	(+)	Positive
F		KEY



## Product Characteristics

<b>Rechargeable Chemistry</b>	Lithium-Ion	
<b>Approximate Weight</b>	0.379 lbs (0.172 kg)	
<b>Communication</b>	SMBus	
<b>General</b>	Nominal Voltage	10.8V
	Nominal Capacity	3200mAh
	Nominal Energy	35Wh
<b>Charging</b>	Charge Voltage	12.6V
	Charging Current	1.625A
	Termination Current	100mA
	Charge Temperature	0°C to +45°C
<b>Discharging</b>	Maximum Continuous Current	4.4A @ 25°C 4.25A @ 60°C
	Discharge Termination	9.0V
	Discharge Temperature	-20°C to +60°C
<b>Storage</b>	Temperature (1 month)	-20°C to +45°C
	Temperature (6 month)	-20°C to +40°C
	Temperature (12 month)	-20 °C to +35°C
<b>Certifications</b>	IEC 62133, 2 <sup>nd</sup> Edition UL 2054 UN 38.3	