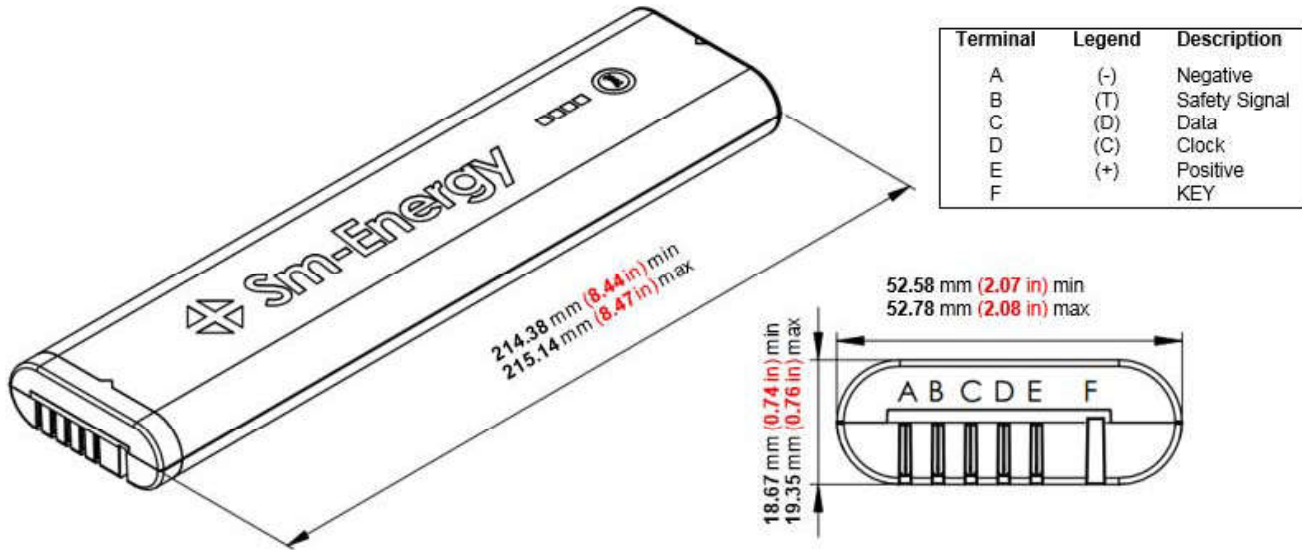


# SM201-5.0-35 11.1V, 5000mAh, 56Wh

# Data Sheet



## Product Characteristics

<b>Rechargeable Chemistry</b>	Li-Ion	
<b>Approximate Weight</b>		0.33 kg (0.728 lbs)
<b>Communication</b>	SMBus	
<b>General</b>	Nominal Voltage	11.1V
	Nominal Capacity	5000mAh
	Nominal Energy	56Wh
<b>Charging</b>	Charge Voltage	12.3V
	Charging Current	3.5A
	Termination Current	300mA
	Charge Temperature	0°C to +40°C
<b>Discharging</b>	Maximum Continuous Current	3.8A @ 25°C
	Discharge Termination	9.0V
	Discharge Temperature	-20°C to +60°C
<b>Storage</b>	Temperature (1 month)	-20°C to +50°C
	Temperature (3 month)	-20°C to +40°C
	Temperature (12 month)	-20°C to +20°C
<b>Certifications</b>	UN 38.3	
	UL2054	
	IEC62133 2 <sup>nd</sup> Edition	
	BIS 16046:2015	
	GB 31241	