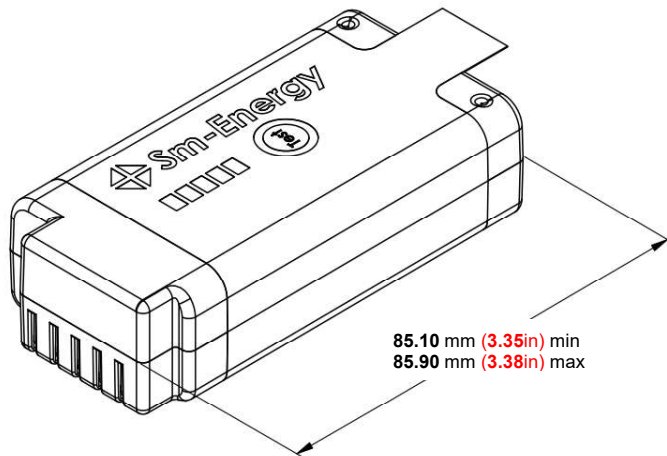
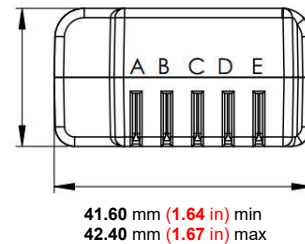


SM117-3.2-04 7.2V, 3200mAh, 24Wh

Data Sheet



22.35 mm
(0.87 in) min
23.15 mm
(0.91 in) max



Terminal	Legend	Description
A	(-)	Negative
B	(T)	Safety Signal
C	(D)	Data
D	(C)	Clock
E	(+)	Positive
F		KEY

Product Characteristics

Rechargeable Chemistry	Lithium Ion	
Approximate Weight	0.1225 kg (0.2701 lbs)	
Communication	SMBus	
General	Nominal Voltage	7.2V
	Nominal Capacity	3350mAh
	Nominal Energy	25Wh
Charging	Charge Voltage	8.4V
	Charging Current	1.625A
	Termination Current	100mA
	Charge Temperature	0°C to +45°C
Discharging	Maximum Continuous Current	7.0A @ 25°C
	Discharge Termination	6.0V
	Discharge Temperature	-20°C to +60°C
Storage	Temperature (1 month)	-20°C to +50°C
	Temperature (6 month)	-20°C to +40°C
	Temperature (12 month)	-20°C to +20°C
Certifications	IEC 62133, 2 nd Edition UN38.3	